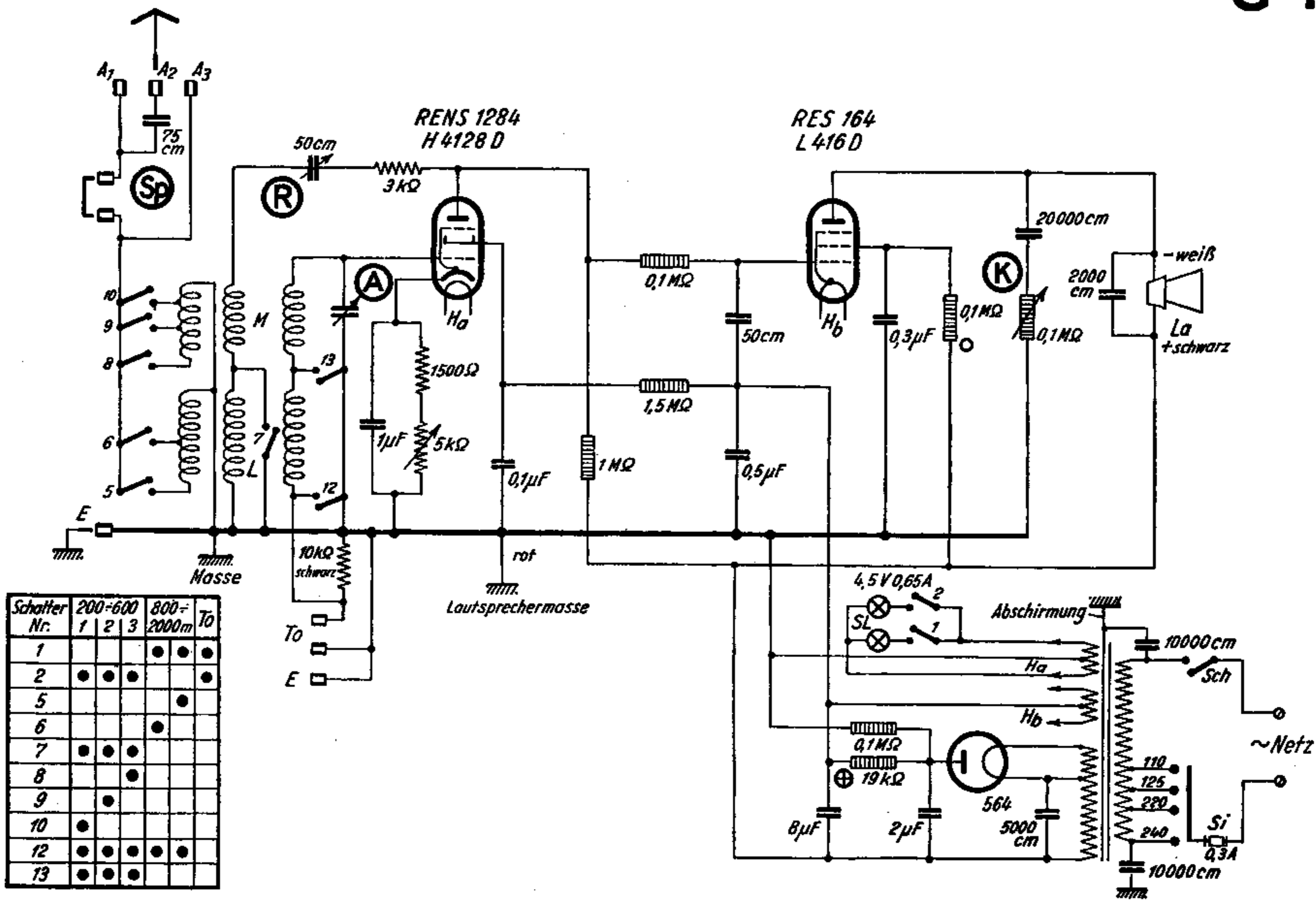


# Columbus 107

# 2 Röhren 1 Kreis G-Rü-W



| Schalter<br>Nr. | 200-600 |   |   | 800-<br>2000m | To |
|-----------------|---------|---|---|---------------|----|
|                 | 1       | 2 | 3 |               |    |
| 1               |         |   |   | •             | •  |
| 2               | •       | • | • |               | •  |
| 5               |         |   |   |               | •  |
| 6               |         |   |   | •             |    |
| 7               | •       | • | • |               |    |
| 8               |         |   | • |               |    |
| 9               |         | • |   |               |    |
| 10              | •       |   |   |               |    |
| 12              | •       | • | • | •             | •  |
| 13              | •       | • | • |               |    |

Met dankaan Paul van der Mast